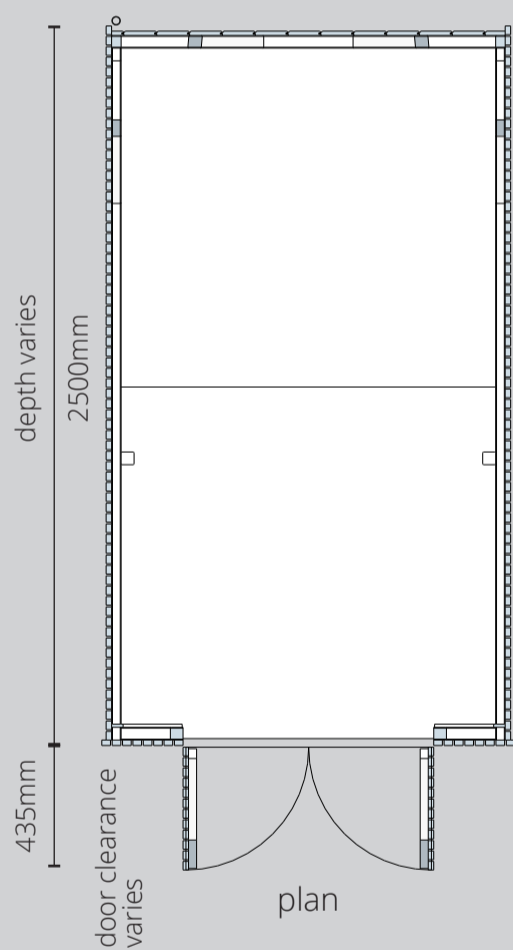
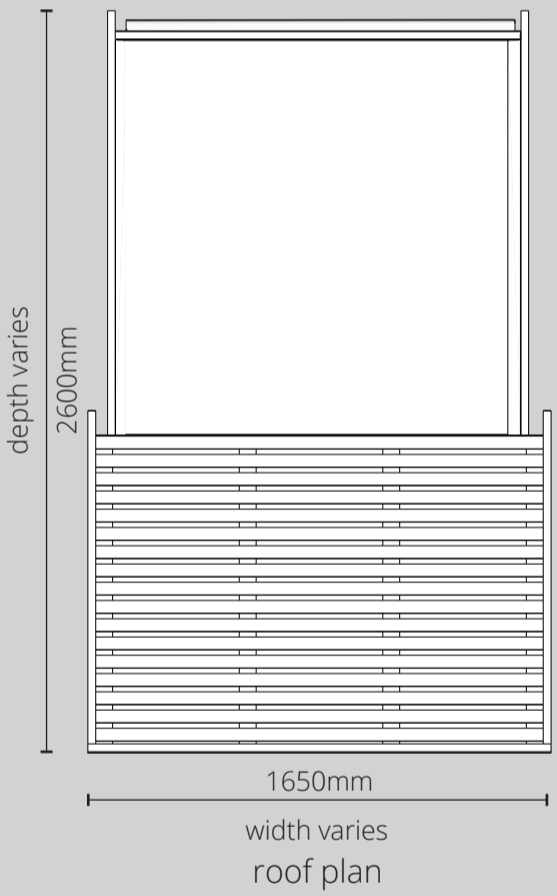
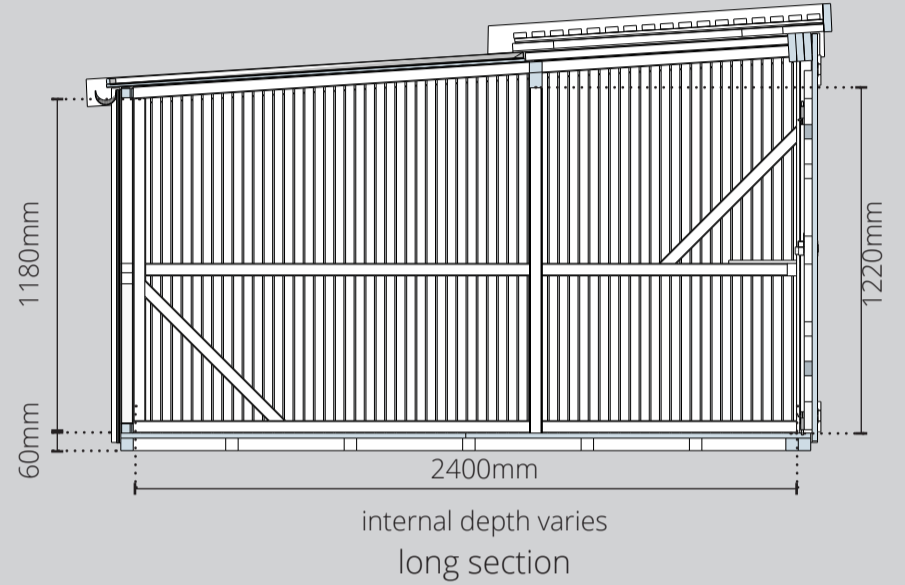
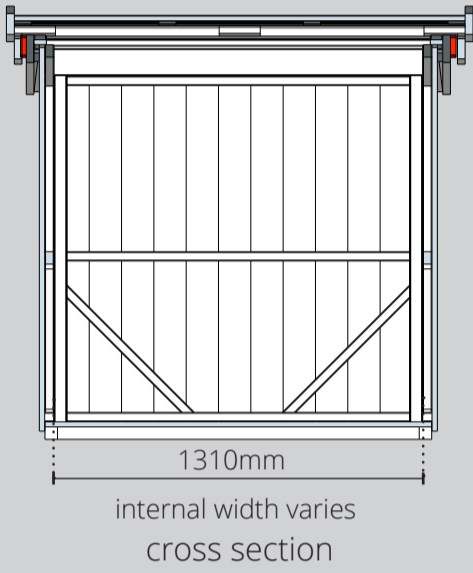
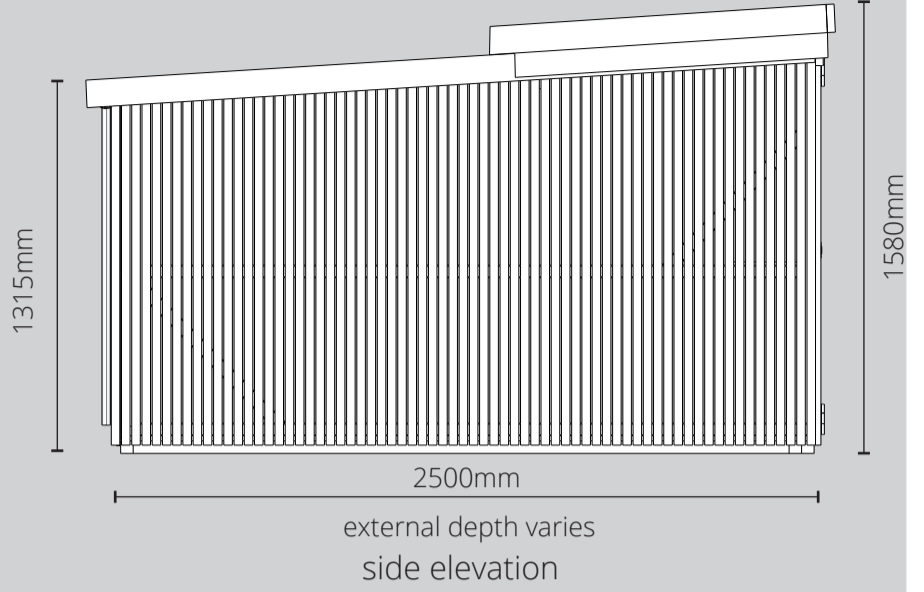
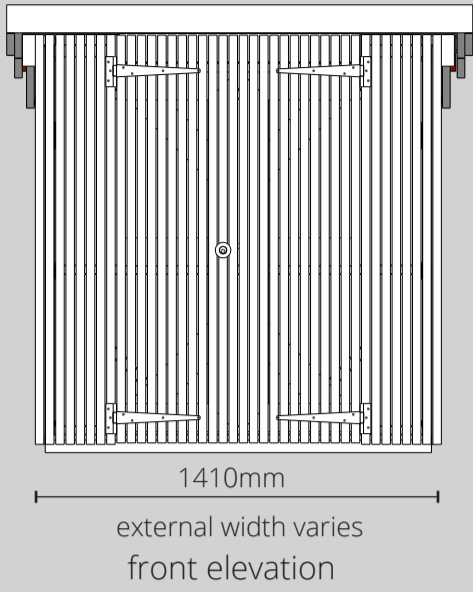


# The Cargo Shed

## Key Dimensions - 2.5 Cargo 1 bike Shed model shown



### Included in all Cargo Shed models:

- Adjustable Rubber Feet
- Secure Bar
- Heavy Duty Galvanised Hinges
- Heavy Duty Galvanised Drop Bolts
- Long Throw Lock with 5 keys
- Gutter with Outlet and Downpipe
- EPDM roof liner on green roof models
- Flexible Poly Roofing Felt on felt roof models
- Security fixings on Hinges
- Heavy Duty Stainless Steel Runners to support Sliding Lid

Dimensions of shed depth vary with size of Shed. See dimension table below.

cargo bike shed size	base		internal		roof		door clearance
	depth	width	depth	width	depth	width	
Cargo 2.5_1 bike	2500mm	1410mm	2400mm	1310mm	2600mm	1650mm	435mm
Cargo 2.5_2 bikes	2500mm	1760mm	2400mm	1660mm	2600mm	2100mm	435mm
Cargo 2.5_3 bikes	2500mm	1980mm	2400mm	1880mm	2600mm	2320mm	615mm
Cargo 3_1 bike	3000mm	1410mm	2900mm	1310mm	3100mm	1650mm	435mm
Cargo 3_2 bikes	3000mm	1760mm	2900mm	1660mm	3100mm	2100mm	435mm
Cargo 3_3 bikes	3000mm	1980mm	2900mm	1880mm	3100mm	2320mm	615mm