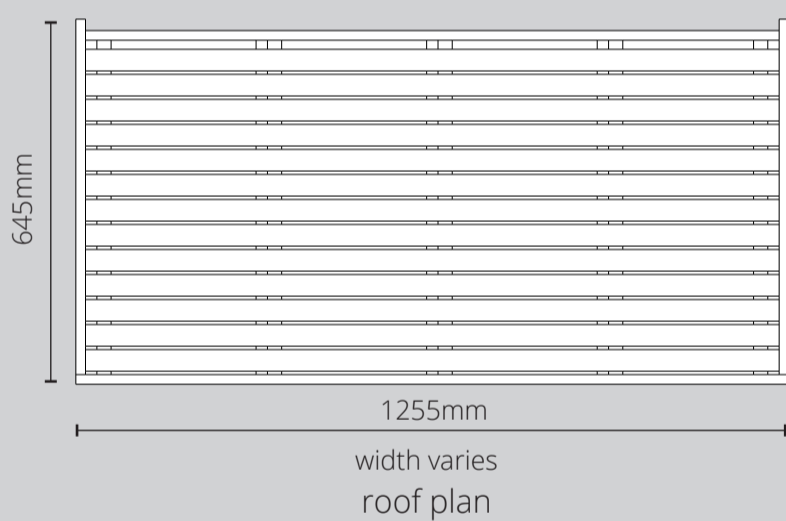
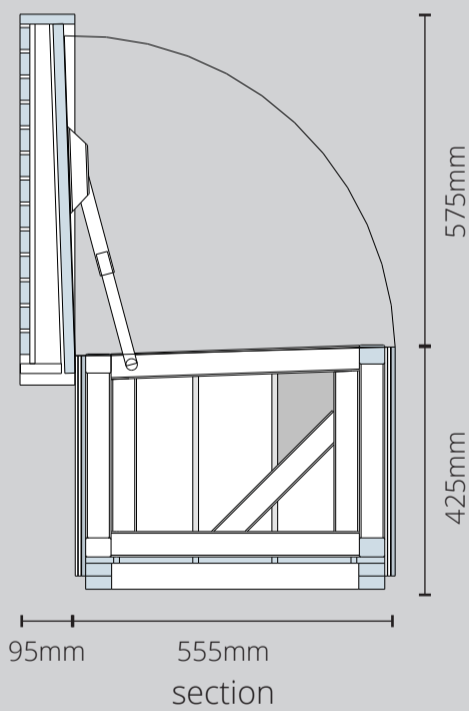
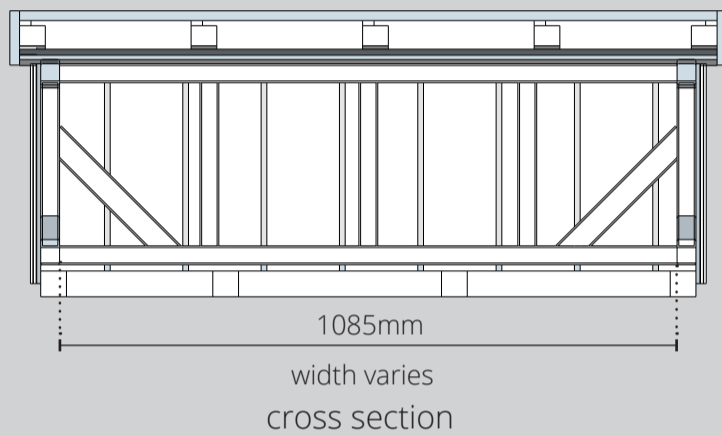
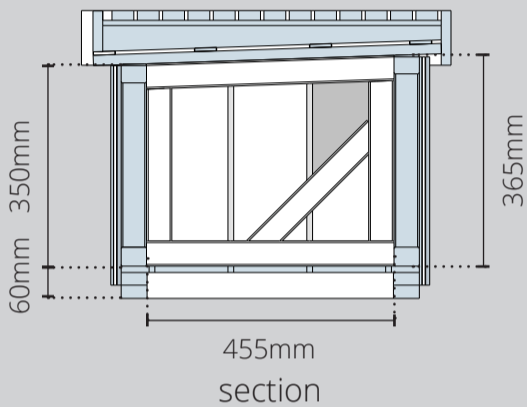
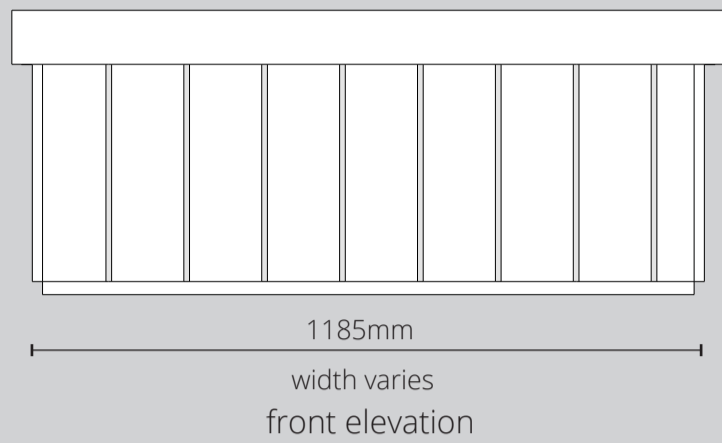
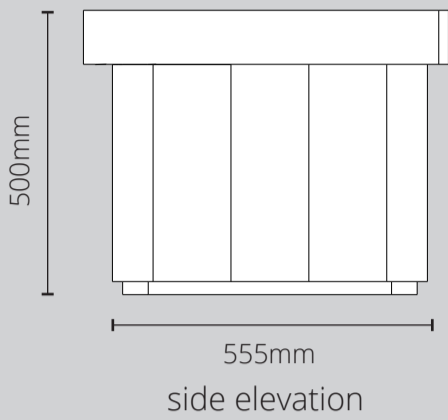


Outdoor Storage Bench

Key Dimensions - medium Outdoor Storage Bench model shown



Included in all Outdoor Storage Bench models:

- Adjustable Rubber Feet
- EPDM roof liner
- Fully waterproof construction
- Ratchet stays keep lid open

Dimensions of bench depth vary with size of bench. See dimension table below.

outdoor storage bench size	base		internal		roof		lid clearance
	depth	width	depth	width	depth	width	
small	555mm	865mm	455mm	765mm	645mm	835mm	575mm
medium	555mm	1185mm	455mm	1085mm	645mm	1255mm	575mm
large	555mm	1765mm	455mm	1665mm	645mm	1835mm	575mm