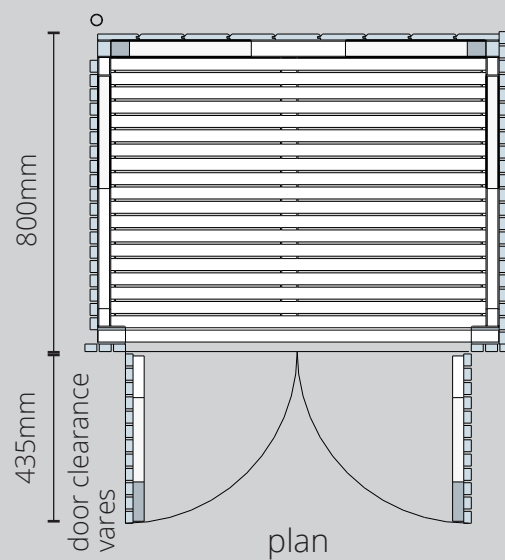
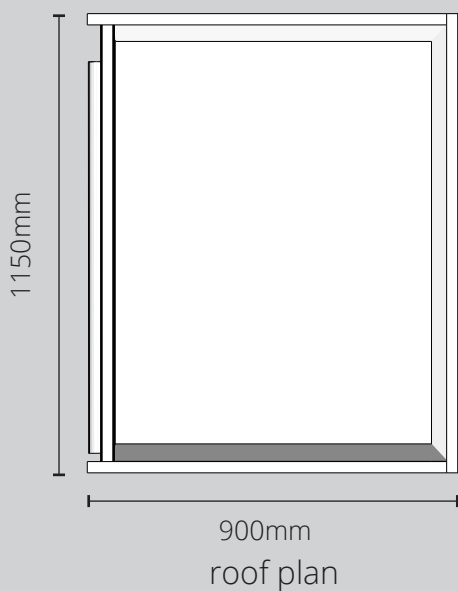
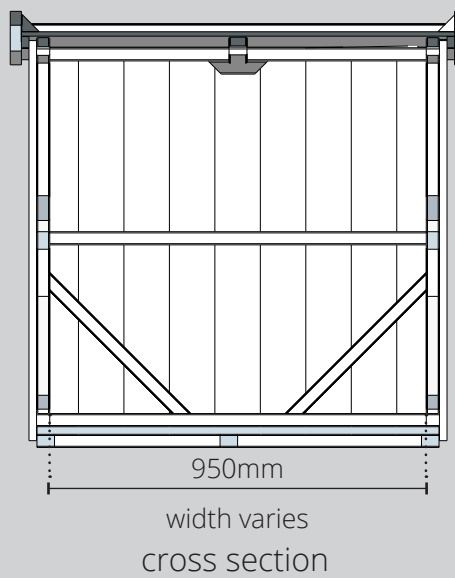
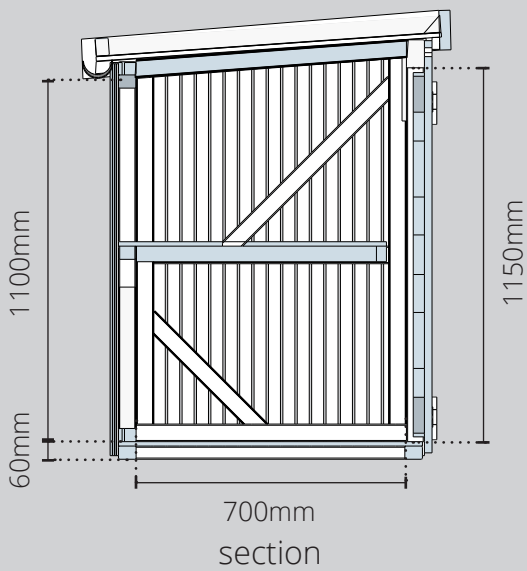
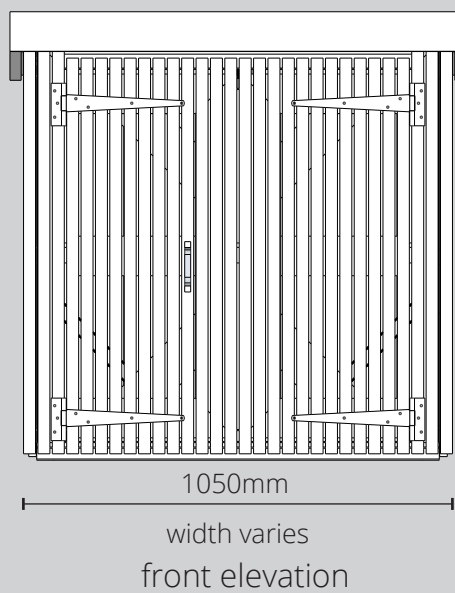
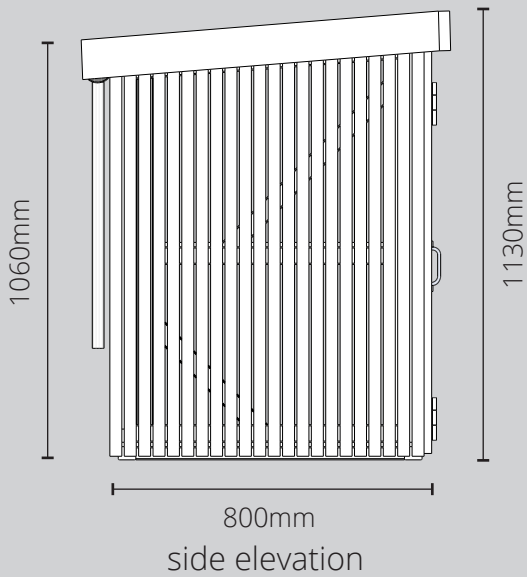


Outdoor Log Store Shed

Key Dimensions - medium Outdoor Log Store Shed model shown



Included in all Outdoor Log Store Shed models:

- Adjustable Rubber Feet
- Heavy Duty Galvanised Hinges
- Heavy Duty Galvanised Drop Bolts
- Gutter with Outlet and Downpipe
- EPDM roof liner on green roof models
- Flexible Poly Roofing Felt on felt roof models
- Slatted floor for improved airflow

Dimensions of shed depth vary with size of Shed. See dimension table below.

outdoor log store shed size	base		internal		roof		door clearance
	depth	width	depth	width	depth	width	
small	800mm	650mm	700mm	550mm	900mm	750mm	440mm
medium	800mm	1050mm	700mm	950mm	900mm	1150mm	435mm
large	800mm	1450mm	700mm	1350mm	900mm	1550mm	610mm