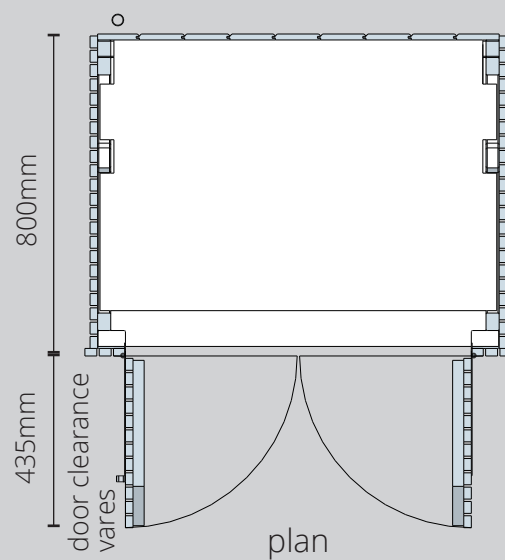
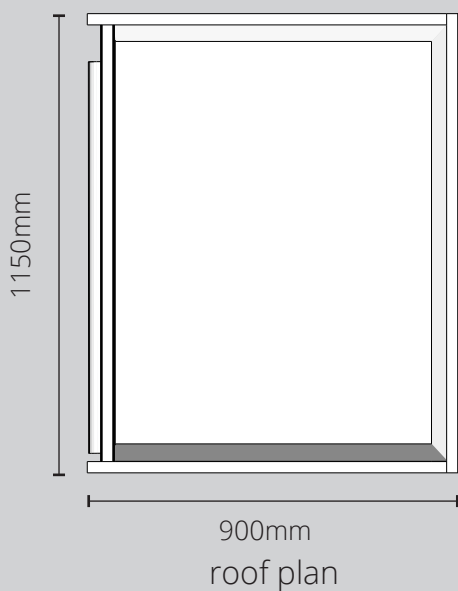
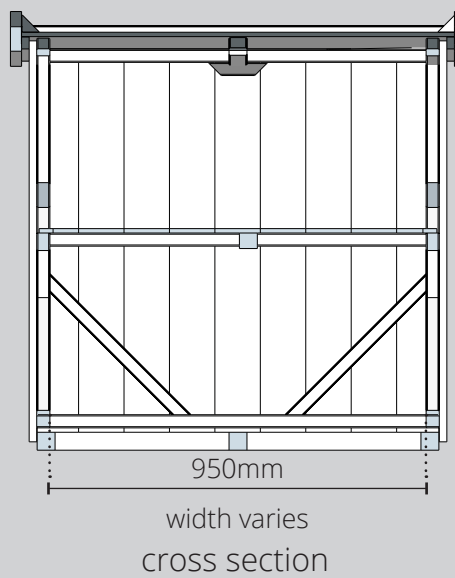
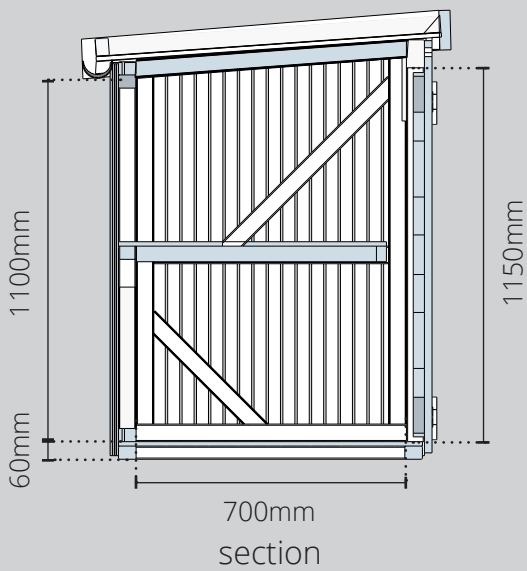
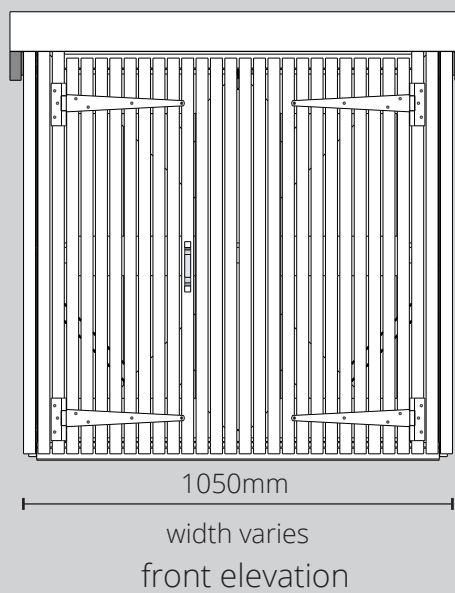
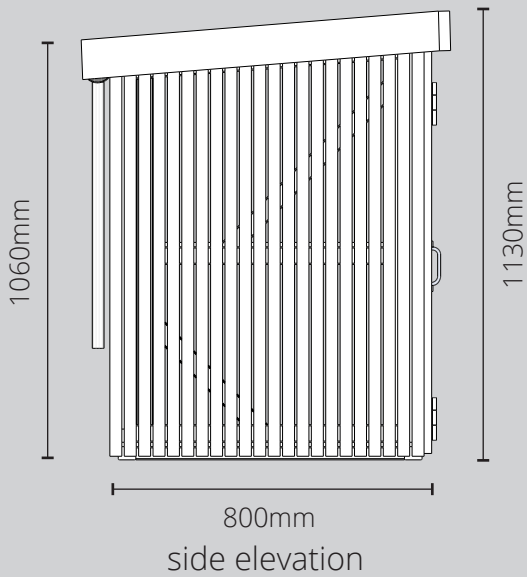


# Recycling Box Storage Shed

BRIGHTON  
**BIKE SHEDS**  
HAND MADE IN ENGLAND

## Key Dimensions - medium Recycling Box Storage Shed model shown



Included in all Recycling Box Storage Shed models:

- Adjustable Rubber Feet
- Heavy Duty Galvanised Hinges
- Heavy Duty Galvanised Drop Bolts
- Gutter with Outlet and Downpipe
- EPDM roof liner on green roof models
- Flexible Poly Roofing Felt on felt roof models

Dimensions of shed depth vary with size of shed. See dimension table below.

recycling box storage shed size	base		internal		roof		door clearance
	depth	width	depth	width	depth	width	
small	800mm	650mm	700mm	550mm	900mm	750mm	440mm
medium	800mm	1050mm	700mm	950mm	900mm	1150mm	435mm
large	800mm	1450mm	700mm	1350mm	900mm	1550mm	610mm