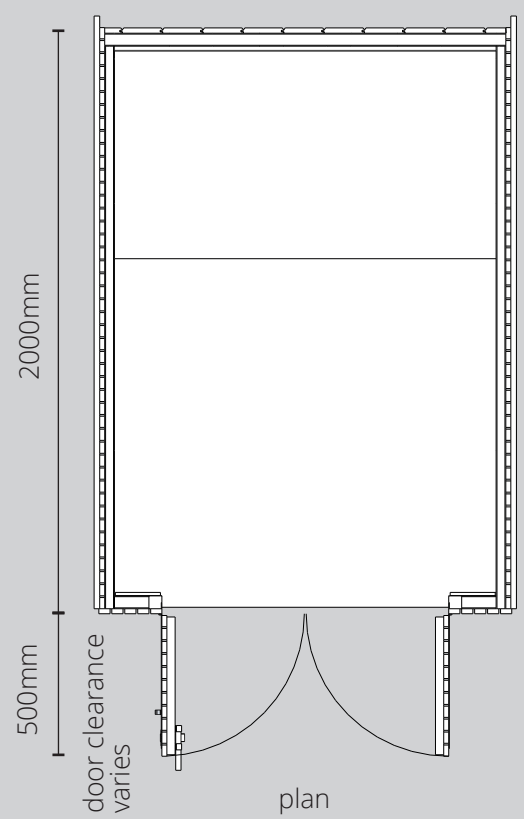
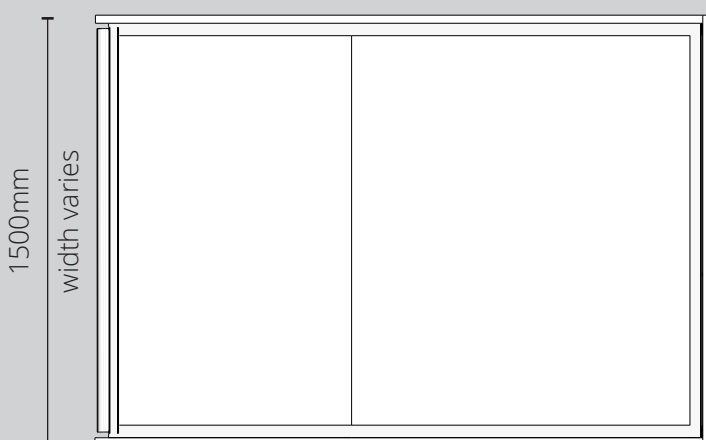
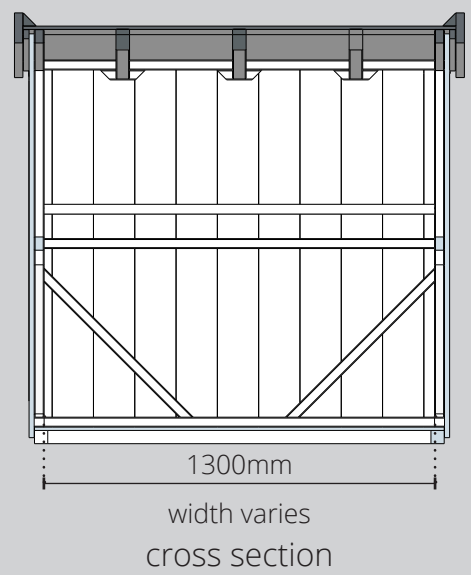
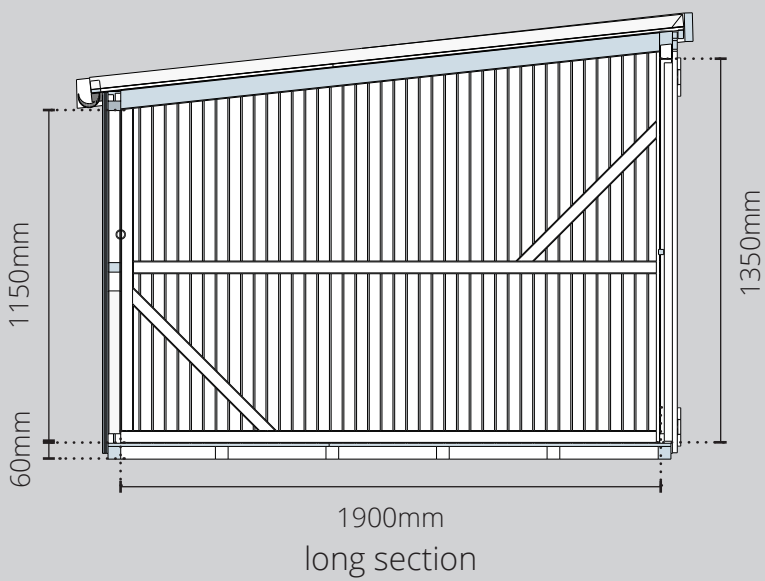
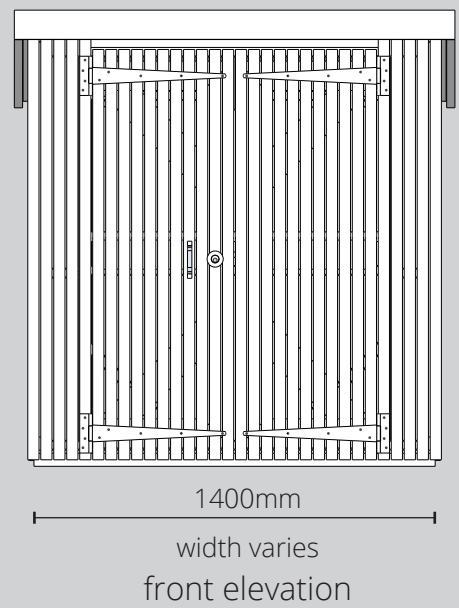
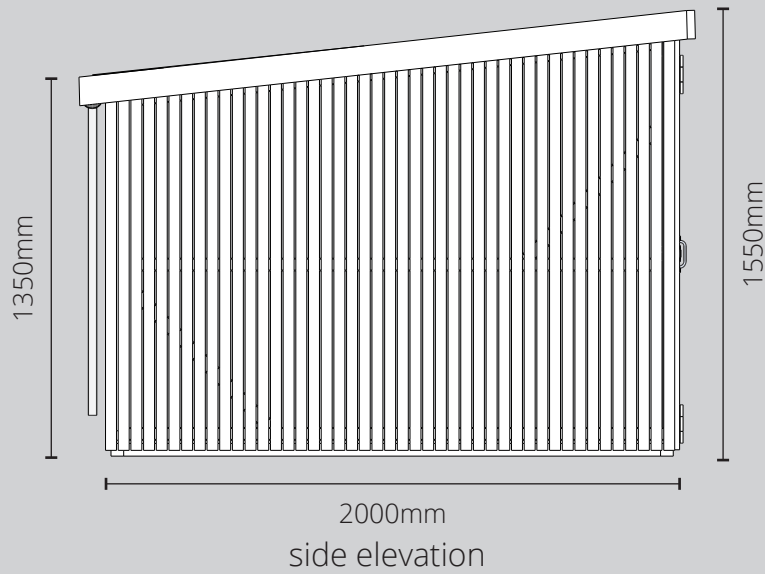


# The Slot-in Bike Shed

## Key Dimensions - 3 Slot-in Bike Shed model shown



Included in all Slot-in Bike Shed models:

- Adjustable Rubber Feet
- Secure Bar
- Heavy Duty Galvanised Hinges
- Heavy Duty Galvanised Drop Bolts
- Long Throw Lock with 5 keys
- Gutter with Outlet and Downpipe
- EPDM roof liner on green roof models
- Flexible Poly Roofing Felt on felt roof models
- Security fixings on Hinges
- Wheel Rack in Galvanised Steel fixed to floor

Dimensions of shed depth vary with size of Shed. See dimension table below.

slot-in bike shed size	base		internal		roof		door clearance
	depth	width	depth	width	depth	width	
1 bike	2000mm	860mm	1900mm	760mm	2100mm	960mm	540mm
2 bikes	2000mm	1000mm	1900mm	900mm	2100mm	1100mm	750mm
3 bikes	2000mm	1400mm	1900mm	1300mm	2100mm	1500mm	500mm
4 bikes	2000mm	1800mm	1900mm	1700mm	2100mm	1900mm	610mm
5 bikes	2000mm	2200mm	1900mm	2100mm	2100mm	2500mm	750mm
6 bikes	2000mm	2600mm	1900mm	2500mm	2100mm	2700mm	860mm