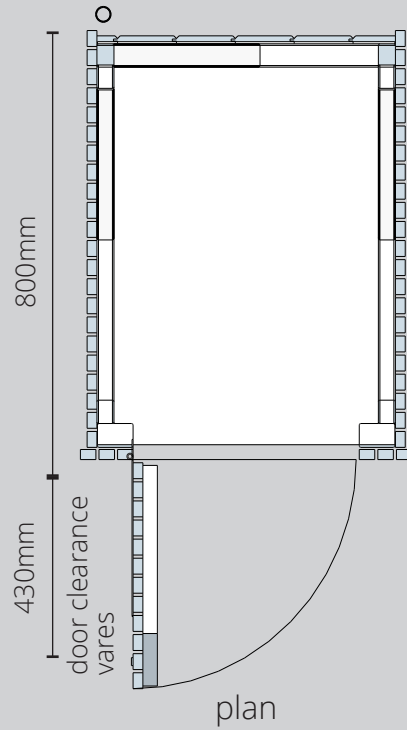
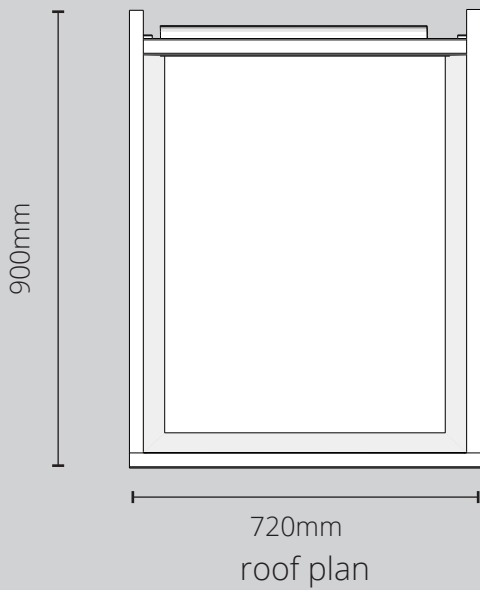
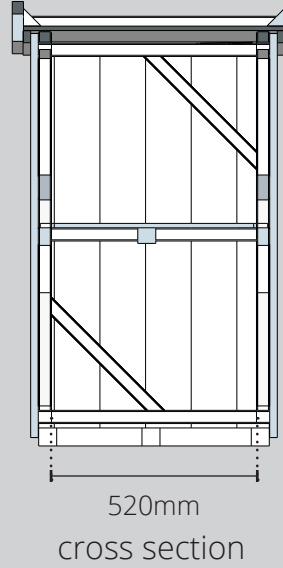
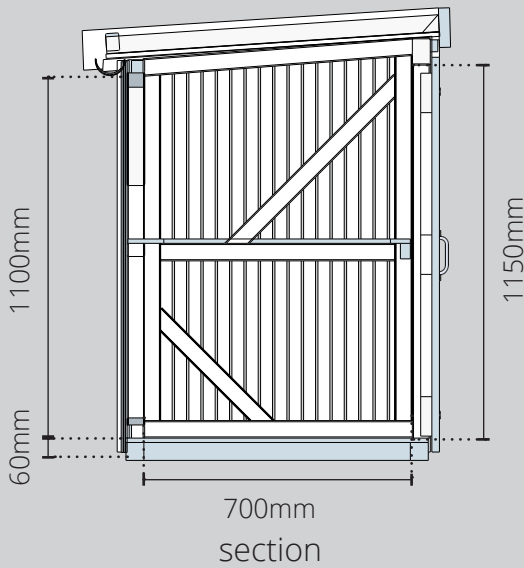
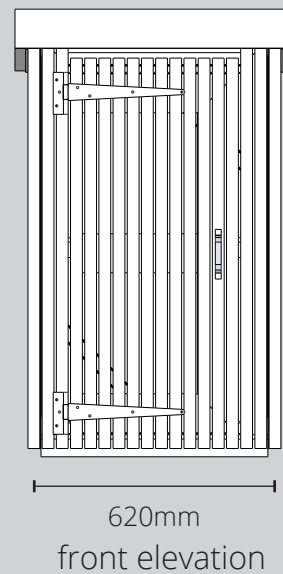
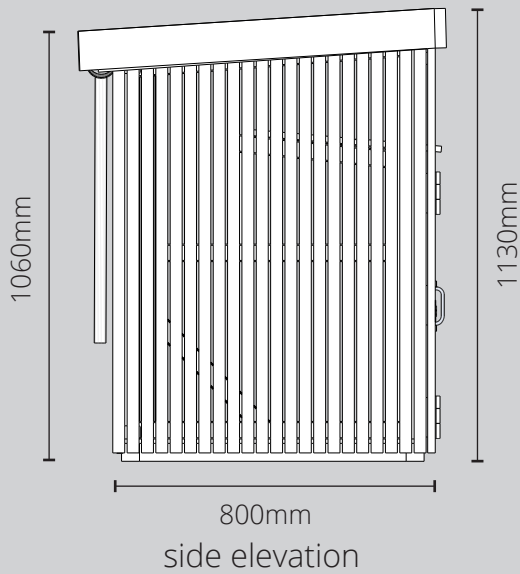


Vegetable Box Shed

Key Dimensions - Vegetable Box Shed model shown



Included in all Vegetable Box Shed models:

- Adjustable Rubber Feet
- Heavy Duty Galvanised Hinges
- Heavy Duty Galvanised Drop Bolts
- Gutter with Outlet and Downpipe
- EPDM roof liner on green roof models
- Flexible Poly Roofing Felt on felt roof models

Dimensions of Shed see table below.

vegetable box shed size	base		internal		roof		door clearance
	depth	width	depth	width	depth	width	
standard	800mm	620mm	700mm	520mm	900mm	720mm	430mm