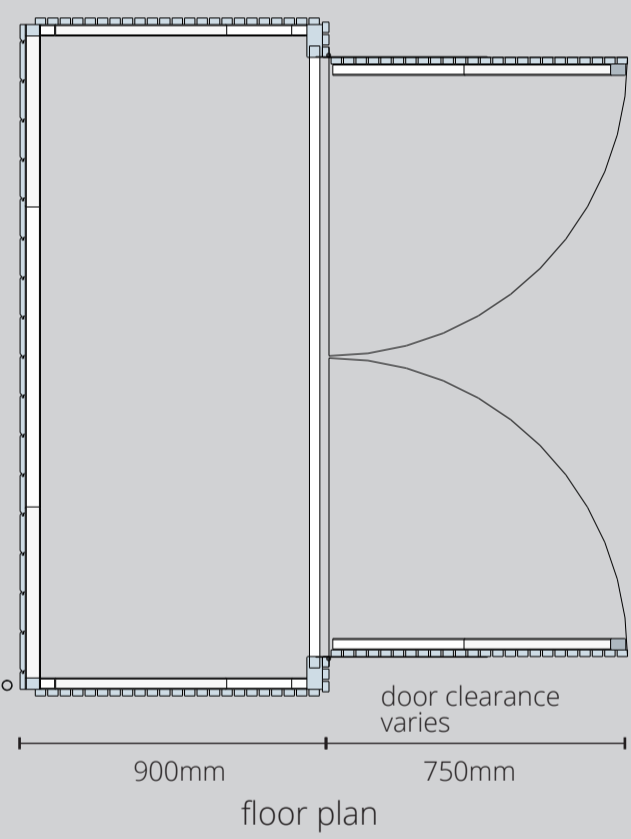
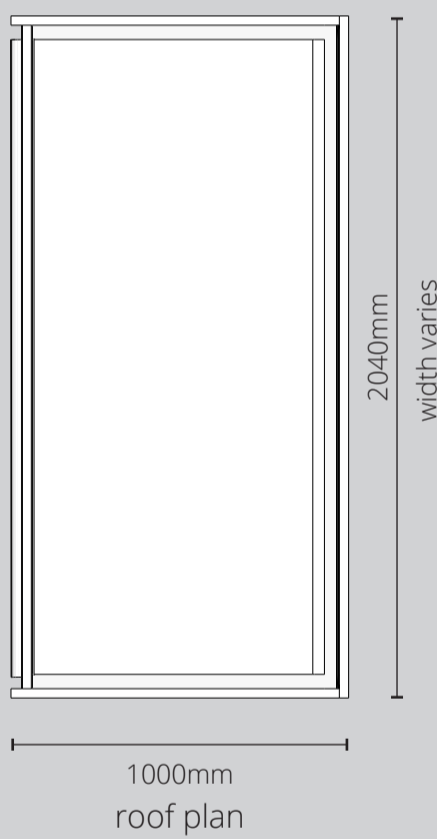
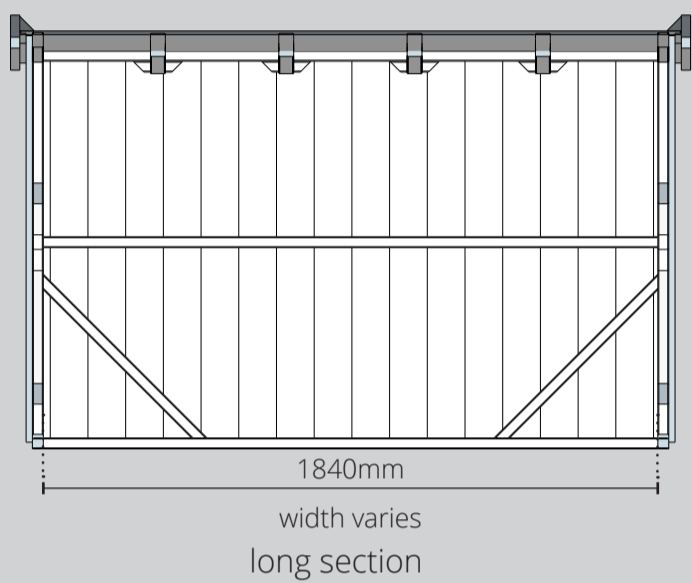
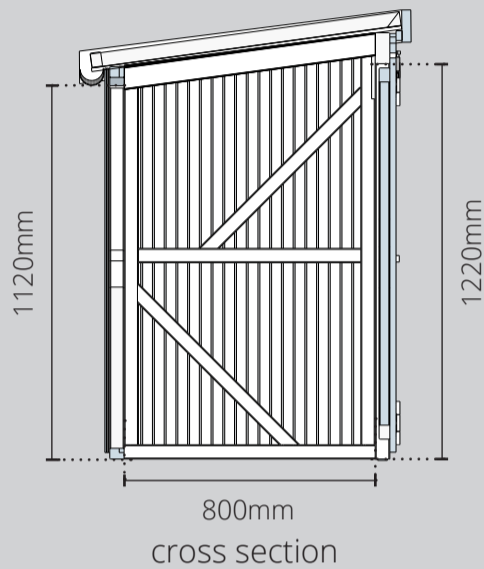
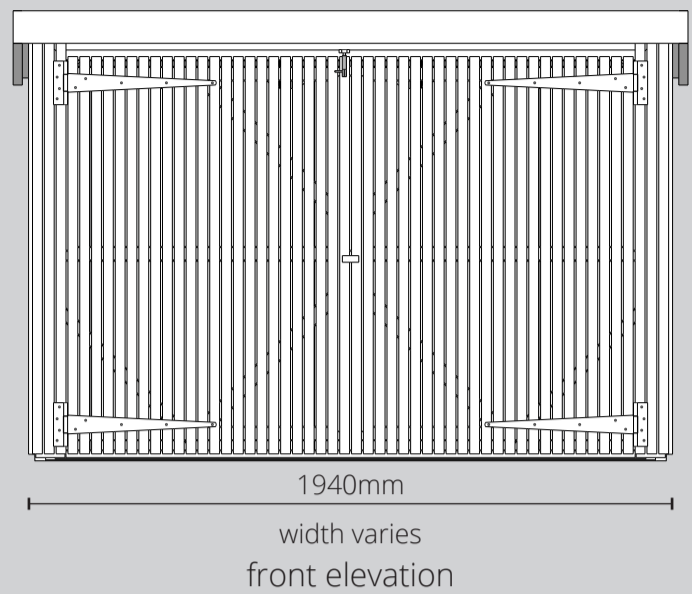
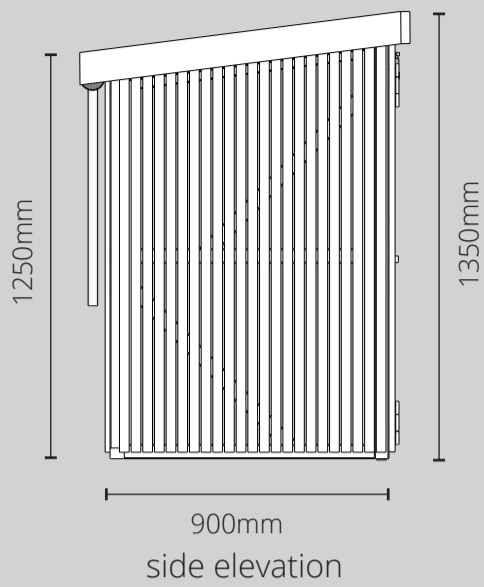


Wheelie Bin Shed

Key Dimensions - 3 Wheelie Bin Shed model shown



Included in all Wheelie Bin shed models:

- Adjustable Rubber Feet
- Heavy Duty Galvanised Hinges
- Heavy Duty Galvanised Drop Bolts
- Gutter with Outlet and Downpipe
- EPDM roof liner on green roof models
- Flexible Poly Roofing Felt on felt roof models

Dimensions of shed width vary with size of Shed. See dimension table below.

wheelie bin shed size	base		internal		roof		door clearance
	depth	width	depth	width	depth	width	
2 bin	900mm	1460mm	800mm	1360mm	1000mm	1560mm	615mm
3 bin	900mm	1940mm	800mm	1840mm	1000mm	2040mm	865mm
4 bin	900mm	2880mm	800mm	2780mm	1000mm	2980mm	615mm
5 bin	900mm	3380mm	800mm	3280mm	1000mm	3480mm	865mm
6 bin	900mm	3880mm	800mm	3780mm	1000mm	3980mm	865mm